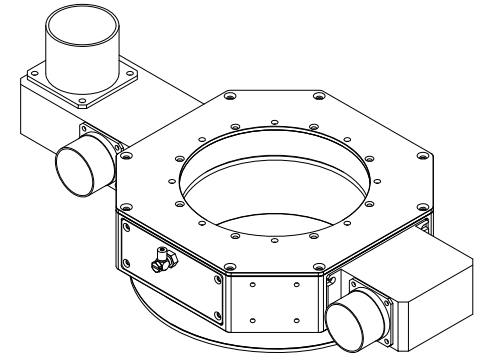
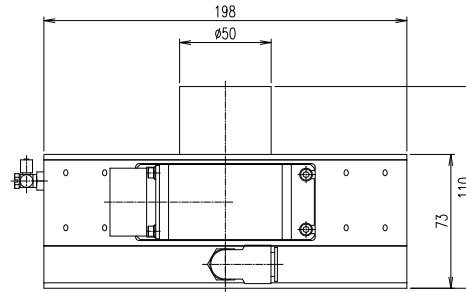
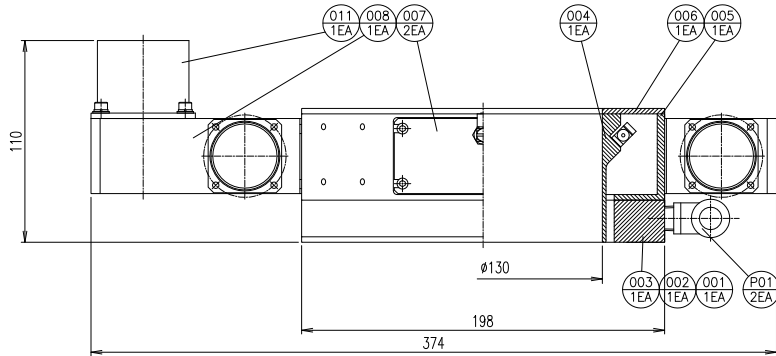
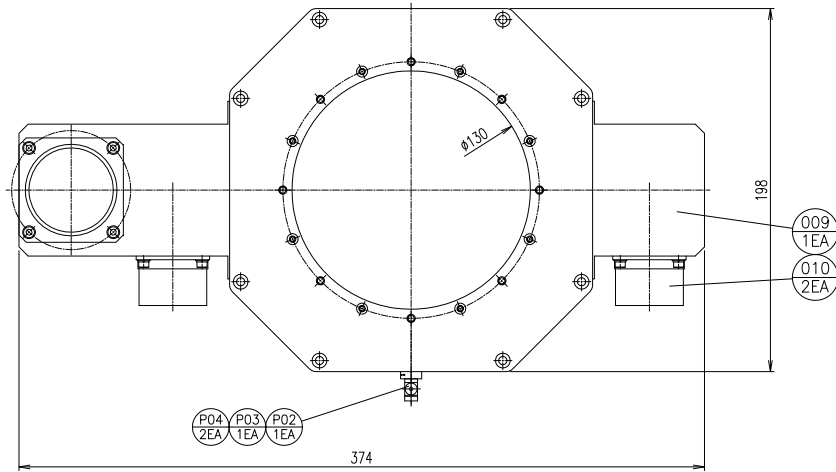


000
A00

Non Contacting Cleaning Unit HCR-130



| No. | 품명 | 도번 | 수량 | | 재질 | 후처리 | 비고 |
|-----|------------------|----------------------|------|-------|---------------|-----------------|----|
| | | | Unit | Total | | | |
| 001 | RING BLADE BODY | NTK16-R75P-A00-001-0 | . | 1 | AL6061 | BLACK ANODIZING | |
| 002 | TOP CAP | NTK16-R75P-A00-002-0 | . | 1 | AL6061 | BLACK ANODIZING | |
| 003 | SHIM PLATE | NTK16-R75P-A00-003-0 | . | 1 | SUS304H | . | |
| 004 | SUCTION GUIDE | NTK16-R75P-A00-004-0 | . | 1 | ACETAL(BLACK) | . | |
| 005 | SUCTION CHAMBER | NTK16-R75P-A00-005-0 | . | 1 | AL6061 | BLACK ANODIZING | |
| 006 | CHAMBER COVER | NTK16-R75P-A00-006-0 | . | 1 | AL6061 | BLACK ANODIZING | |
| 007 | BLANKING PLATE | NTK16-R75P-A00-007-0 | . | 2 | AL6061 | BLACK ANODIZING | |
| 008 | EXHAUST MANIFOLD | NTK16-R75P-A00-008-0 | . | 1 | AL6061 | BLACK ANODIZING | |
| 009 | EXHAUST PORT | NTK16-R75P-A00-009-0 | . | 1 | AL6061 | BLACK ANODIZING | |
| 010 | EXHAUST PIPE | NTK16-R75P-A00-010-0 | . | 2 | AL6061 | BLACK ANODIZING | |
| 011 | EXHAUST PIPE | NTK16-R75P-A00-011-0 | . | 1 | AL6061 | BLACK ANODIZING | |
| 012 | . | . | . | . | . | . | |
| 013 | . | . | . | . | . | . | |
| 014 | . | . | . | . | . | . | |
| 015 | . | . | . | . | . | . | |

| No. | 품명 | 수량 | | 규격 | 업체명 |
|-----|---------|------|-------|------------|-----|
| | | Unit | Total | | |
| P01 | FITTING | . | 2 | KQ2L12-025 | SMC |
| P02 | FITTING | . | 1 | M-5E | SMC |
| P03 | FITTING | . | 1 | KQ2T04-M5 | SMC |
| P04 | FITTING | . | 2 | M-5HLH-4 | SMC |
| P01 | . | . | . | . | . |

| NO. | REVISIONS | NAME | DATE |
|-----|-----------|------|------|
| △ | - | - | - |
| △ | - | - | - |

| 일반공차 | | | |
|------------|------|------|-------|
| 공차구분 | 단위 | 표준 | 특수 |
| . X | 0.1 | VV | 8.5 S |
| . XX | 0.01 | VV | 25 S |
| 특수구분 | 1급 | 2급 | 3급 |
| 0.05-0.8 | 0.05 | 0.10 | 0.20 |
| 0.8-3.0 | 0.10 | 0.20 | 0.50 |
| 3.0-12.0 | 0.15 | 0.30 | 0.80 |
| 12.0-30.0 | 0.20 | 0.50 | 1.20 |
| 30.0-100.0 | 0.30 | 0.80 | 2.00 |
| 100.0- | 0.50 | 1.20 | 3.00 |
| 공차기 | 0.3 | 0.5 | 1.0 |
| 공차 | 0.2 | 0.5 | 1.0 |
| 방열부 | 0.10 | 0.15 | 0.20 |
| 착탈부 | 0.10 | 0.15 | 0.20 |
| HOLE-RITCH | 0.15 | 0.20 | 0.30 |

| No. | 품명 | 도번 | 수량 | | 재질 | 후처리 | 비고 |
|--|----|----|--------|-------|------------|----------------------|----|
| | | | Unit | Total | | | |
| . | . | . | . | . | . | . | . |
| Project | | | - | | Part | | |
| 제도 | | | - | | Unit | | |
| 설계 | | | BM JIN | | 2016.04.25 | | |
| 검도 | | | - | | Scale | | |
| 승인 | | | - | | 1/2 | | |
| KIND (1. Ass'y 2. Sub ass'y 3. Parts 4. Other) | | | | | | - | |
| DWG No. | | | | | | NTK15-R130-A00-000-0 | |
| SH No. | | | | | | / | |

NTK (주)엔티케이코퍼레이션