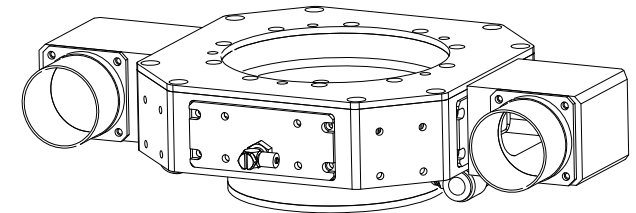
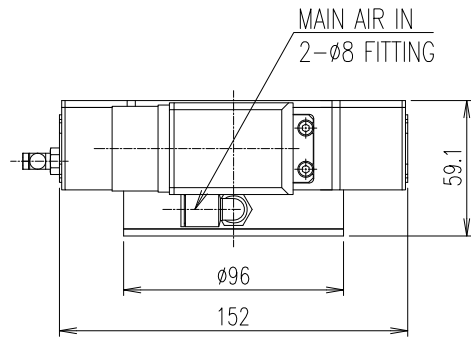
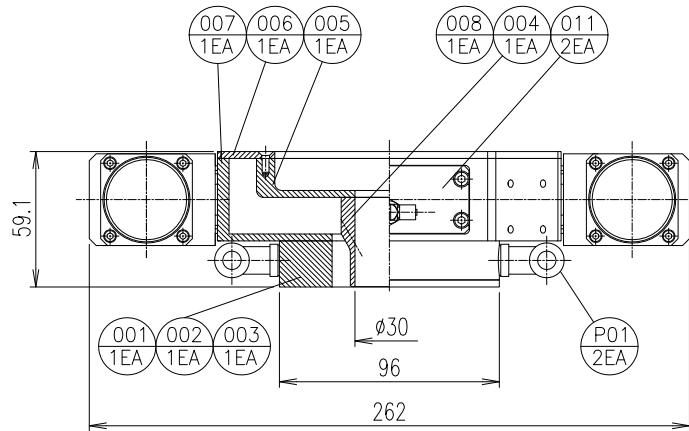
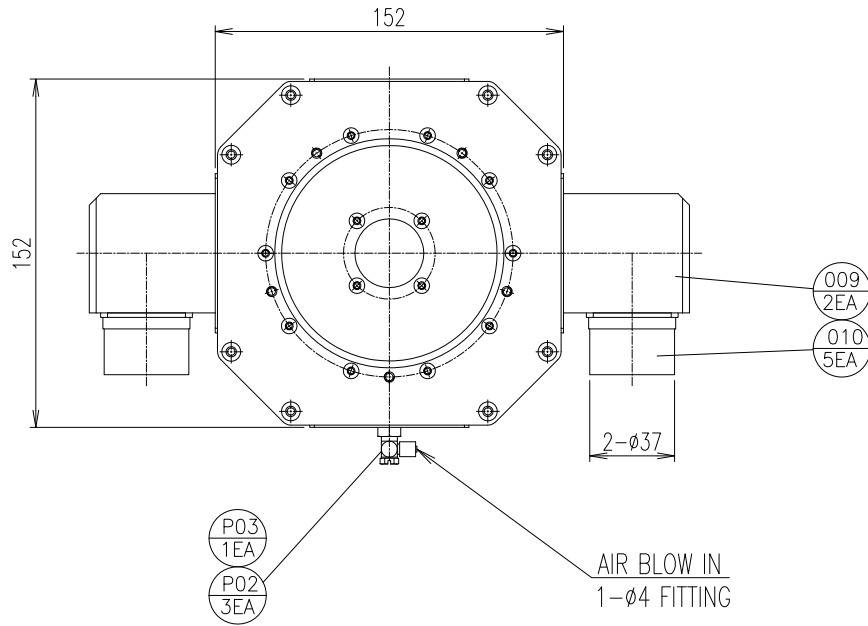


000 A00 Non Contacting Cleaning Unit HCR-30



No.	품명	도번	수량		재질	후처리	비고
			Unit	Total			
001	RING BLADE BODY	NTK17-R30-A00-001-0	.	1	AL6061	BLACK ANODIZING	
002	TOP CAP	NTK17-R30-A00-002-0	.	1	AL6061	BLACK ANODIZING	
003	SHIM PLATE	NTK17-R30-A00-003-0	.	1	SUS304H	.	
004	SUCTION GUIDE	NTK17-R30-A00-004-0	.	1	AL6061	BLACK ANODIZING	
005	GUIDE COVER	NTK17-R30-A00-005-0	.	1	AL6061	BLACK ANODIZING	
006	CHAMBER COVER	NTK17-R30-A00-006-0	.	1	AL6061	BLACK ANODIZING	
007	SUCTION CHAMBER	NTK17-R30-A00-007-0	.	1	AL6061	BLACK ANODIZING	
008	AIR BLOW CONNECTOR	NTK17-R30-A00-008-0	.	1	AL6061	BLACK ANODIZING	
009	EXHAUST PORT	NTK17-R30-A00-009-0	.	2	AL6061	BLACK ANODIZING	
010	EXHAUST PIPE	NTK17-R30-A00-010-0	.	2	AL6061	BLACK ANODIZING	
011	BLANKING PLATE	NTK17-R30-A00-011-0	.	2	AL6061	BLACK ANODIZING	
012							
013							
014							
015							

No.	품명	수량		규격	업체명
		Unit	Total		
P01	FITTING	.	2	KAL08-U02	SMC
P02	FITTING	.	3	M-5HLH-4	SMC
P03	FITTING	.	1	M-5E	SMC
P04
P01

NO.	REVISIONS	NAME	DATE
△	-	-	-
△	-	-	-

일반公差			
公差等级	公差	公差等级	公差
. X	0.1	VV	0.5 S
. XX	0.01	VV	25 S
公差等级	1급	2급	3급
0.5~1.0	0.05	0.10	0.20
1.0~3.0	0.10	0.20	0.50
3.0~10.0	0.15	0.30	0.80
10.0~30.0	0.20	0.50	1.20
30.0~100.0	0.30	0.80	1.50
100.0~	0.50	1.20	3.00
公差	0.3	0.5	1.0
公差	0.2	0.5	1.0
公差	0.10	0.15	0.20
公差	0.10	0.15	0.20
HOLE-FITTING	0.15	0.20	0.30

No.	품명	도번	수량		재질	후처리	비고
			Unit	Total			
000
001
002
003
004
005
006
007
008
009
010
011
012
013
014
015

Project	제도	설계	검도	승인	Scale	Part	Unit	Non Contacting Cleaning Unit HCR-30
-	.	HJ LEE	.	.	1/1	-	-	-

KIND (1. Ass'y 2. Sub ass'y 3. Parts 4. Other)			
DWG No.	SH No.		
NTK17-HCR30-A00-00			